



For compressors

- Easy-to-use air duster gun with TAIFUJet nozzle.
- Available with three different nozzles: TF-R (round jet), TF-F24 (compact flat jet), or TF-F42 (flat jet).
- Air volume adjustable with built-in valve.



**Material**  
Nozzle: PP, PPS  
Air duster gun: PP, POM, etc.



**Max. operating pressure**  
0.7 MPa (100 psi)<sup>\*1</sup>



**Weight**  
TF-GUN with TF-R: 96 g  
TF-GUN with TF-F24: 99 g  
TF-GUN with TF-F42: 124 g

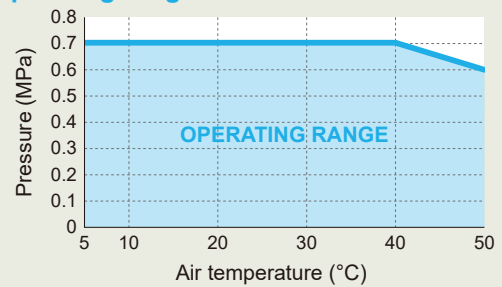


**Max. temperature**  
TF-GUN with TF-R: 50°C (120°F)  
TF-GUN with TF-F24: 50°C (120°F)  
TF-GUN with TF-F42<sup>\*1</sup>: 50°C (120°F)



**Air consumption at 0.3 MPa (with air flow valve set to Max.)**  
TF-GUN with TF-R: 225 L/min, Normal  
TF-GUN with TF-F24: 200 L/min, Normal  
TF-GUN with TF-F42: 350 L/min, Normal

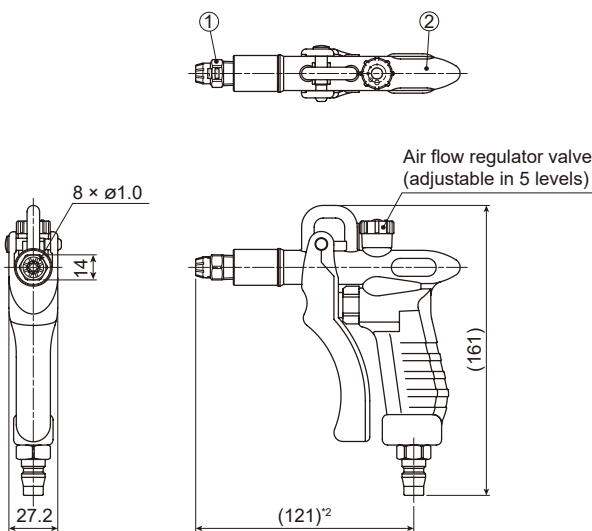
Operating range of TF-GUN with TF-F42



<sup>\*1</sup>Heat resistance varies depending on the pressure applied. Blue colored area indicates the operating range.

## Drawing

### ■ 1/4M TF-R 8-010 PPS-IN + Air duster TD-30H



Note:

Technical drawings for other models available upon request:  
1/8M TF-F 24-8-010 PPS-IN + Air duster TD-30H  
1/4M TF-F 42-16-010 PPS + Air duster TD-30H

1. Nozzle
2. Air duster gun<sup>\*2</sup>

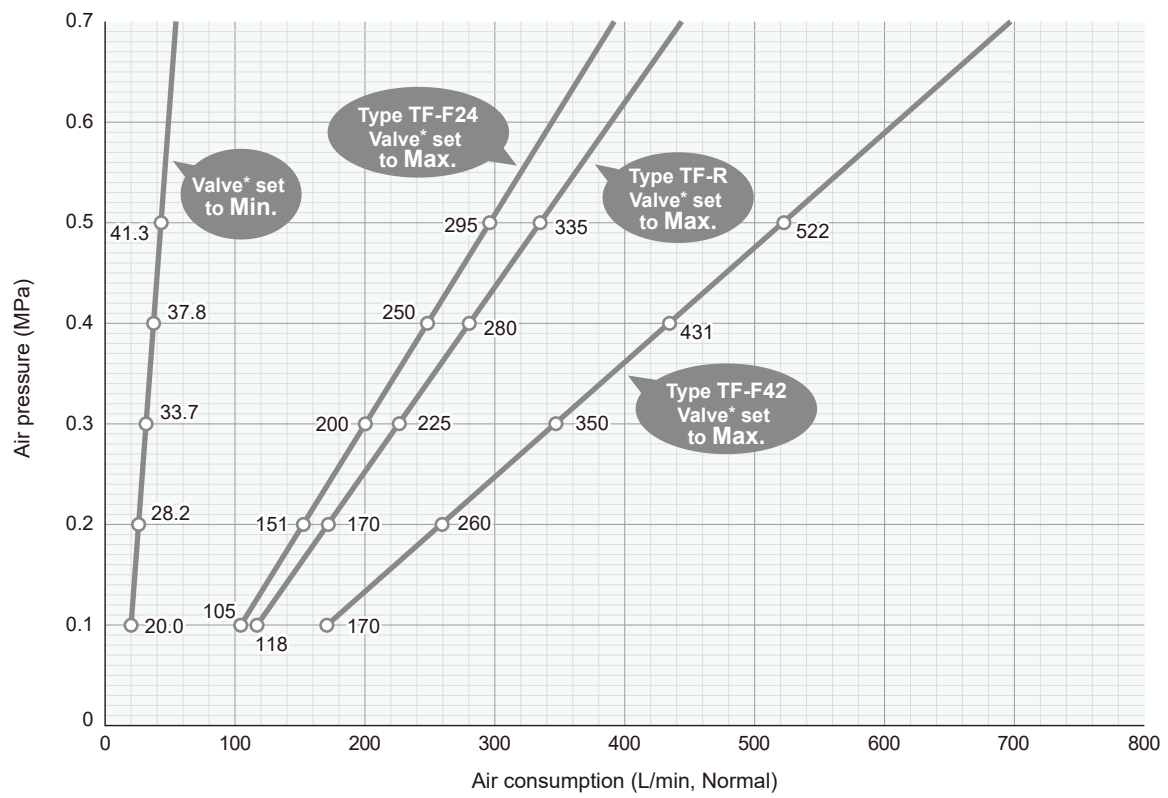
<sup>\*2</sup>Length differs by model:

127 mm for 1/8M TF-F 24-8-010 PPS-IN + Air duster TD-30H,  
184 mm for 1/4M TF-F 42-16-010 PPS + Air duster TD-30H.

Quick fitting (JS-02) for air supply connection included.

Unit: mm

**Air Consumption**



\*Air flow regulator valve (built-in)

**HOW TO ORDER** Please inquire or order using these product codes.

<Example> Round jet nozzle TF-R + blow gun:  
**1/4M TF-R 8-010 PPS-IN + Air duster TD-30H**

<Example> Compact flat jet nozzle TF-F24 + blow gun:  
**1/8M TF-F 24-8-010 PPS-IN + Air duster TD-30H**

<Example> Flat jet nozzle TF-F42 + blow gun:  
**1/4M TF-F 42-16-010 PPS + Air duster TD-30H**