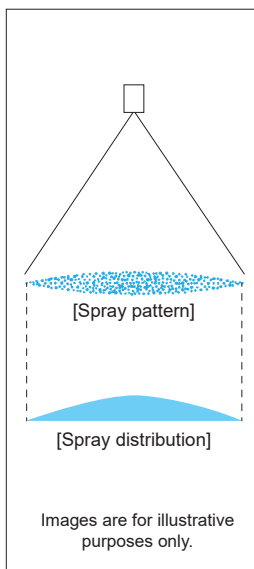


NEW Quick-installation Nozzles

INQB

- Quick-detachable design helps reduce maintenance time significantly.
- The ball joint allows the spray direction adjustable within 50 degrees as desired.
- You can adjust the spray direction and replace nozzle tips without removing the nozzle assembly from pipes.



FEATURES

- Flat spray pattern with a mountain-shaped spray distribution and gradually tapered edges.
- Easy to install. Just drill a hole (ø14.3 mm) into the pipe and insert the nozzle.
- Nozzle tips are color-coded by spray capacity for easy identification.
- Adaptors are also color-coded by size.
- O-ring seals between the pipe and adaptor for pressures of up to 0.4 MPa.
- An optional spring lock is available to secure fixation.

[STANDARD PRESSURE]
0.3 MPa

[APPLICATIONS]

Pre-treatment for painting of cars, electric appliances for the home
Cleaning: water rinse after acid treatment of steel plates, water rinsing process in food factory

Structure	<ul style="list-style-type: none"> ● Includes a nozzle tip, ball section, and adaptor. ● Worn-out nozzle tips can be replaced separately.
Material	<ul style="list-style-type: none"> ● Main parts: FRPP ● Nozzle tip: PP ● Packing: FEPM ● O-ring: NBR ● Spring clip and lock: S304

[QB for metal pipes]

Pipe size (inch) ^{*1}	Color of adaptor	Dimensions (mm)						Weight (g)
		L1	L2	L3	L4	øD1	øD2	
1	Blue	109	93	76	59	34	48	61
1 1/4	Green	118	102	80	59	42.7	48	
1 1/2	Yellow	124	108	83	59	48.6	48	
2	Orange	136	120	89	59	60.5	48	

*1) Use stainless steel pipes compliant with JIS G 3459.

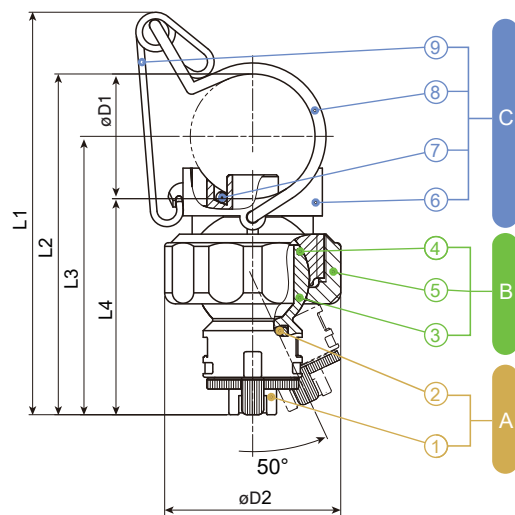
[QB for PVC pipes]

Pipe size (ND) ^{*2}	Color of adaptor	Dimensions (mm)						Weight (g)
		L1	L2	L3	L4	øD1	øD2	
25A	Blue	107	91	75	59	32	48	61
30A	Green	113	97	78	59	38	48	
40A	Yellow	124	108	83	59	48.6	48	
50A	Orange	136	120	89	59	60.5	48	

*2) Use PVC pipes compliant with JIS K 6742.

40A, 50A adaptors for PVC pipes are the same as 1 1/2", 2" adaptors for metal pipes.

DRAWING



- A Nozzle Tip** (① Nozzle tip [PP] ② Packing [FEPM])
- B Ball Section** (③ Ball adaptor ④ O-ring [NBR] ⑤ Cap)
- C Adaptor** (⑥ Adaptor ⑦ O-ring [NBR] ⑧ Spring clip ⑨ Spring lock^{*3})

*3) ⑨ is optional at extra cost.

Nozzle tips of INVV and INJJX series are compatible with the IN-QB series. ISVV/ISJJX series are NOT compatible.

[Note] Appearance and dimensions may differ slightly depending on material and nozzle code.

Quick-installation Nozzles

INQB SERIES

SPECIFICATIONS

Spray angle code	Spray capacity code	Pipe size		Spray capacity (L/min)				Mean droplet diameter (μm)	Free passage diameter (mm)	Nozzle tip color
		(inch)	(ND)	0.1 MPa	0.2 MPa	0.3 MPa	0.4 MPa			
80	80			4.62	6.53	8.00	9.24	430	1.7	
	100			5.77	8.16	10.0	11.5		1.9	
	120			6.93	9.80	12.0	13.9		2.1	
	160			9.24	13.1	16.0	18.5		2.5	
	180			10.4	14.7	18.0	20.8		2.7	
	200			11.5	16.3	20.0	23.1		2.9	
	240			13.9	19.6	24.0	27.7		3.2	
	280			16.2	22.9	28.0	32.3		3.5	
390	22.5	31.8	39.0	45.0	610	4.4				
65	80			4.62	6.53	8.00	9.24	460	1.9	
	100			5.77	8.16	10.0	11.5		2.1	
	120			6.93	9.80	12.0	13.9		2.4	
	160			9.24	13.1	16.0	18.5		2.8	
	180			10.4	14.7	18.0	20.8		2.9	
	200			11.5	16.3	20.0	23.1		3.2	
	240			13.9	19.6	24.0	27.7		3.5	
	280			16.2	22.9	28.0	32.3		650	
390	22.5	31.8	39.0	45.0	650	4.7				
40	120			6.93	9.80	12.0	13.9	560	2.8	
	160			9.24	13.1	16.0	18.5		3.2	
	180			10.4	14.7	18.0	20.8		3.5	
	280			16.2	22.9	28.0	32.3		800	



CAUTIONS

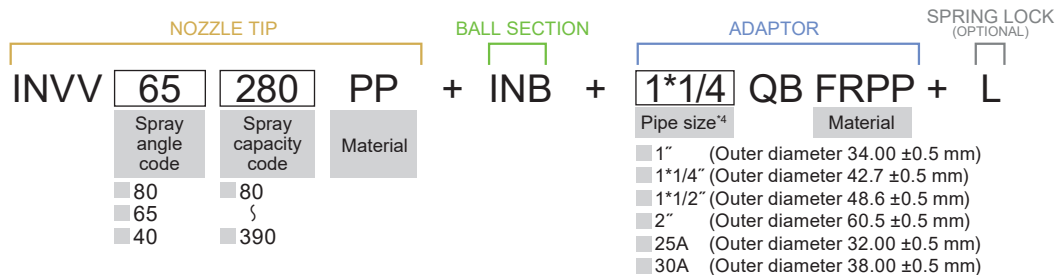
Maximum operating pressure is 0.4 MPa.

Do not use under conditions where sudden or drastic changes in water pressure may occur.

HOW TO ORDER

To inquire about or order a specific nozzle please refer to this coding system.

Example: INVV 65280 PP + INB + 1*1/4 QB FRPP + L



*4) 1. Please check the dimensions of øD1 (outer diameter).
2. Order 1*1/2" adaptor for 40A, and 2" adaptor for 50A.

Please feel free to send any inquiry, request for information or quote regarding this product to the contact below.



"The Fog Engineers"
H. IKEUCHI & CO., LTD.

Headquarters

Daiichi Kyogyo Bldg., 1-15-15, Awaza, Nishi-ku, Osaka 550-0011, Japan
Tel: 81-6-6538-4015 Fax: 81-6-6538-4022
E-mail: overseas@kirinoikeuchi.co.jp
URL: <https://www.kirinoikeuchi.co.jp/eng/>

We have branches and affiliate companies around the world—in China, the USA, the Netherlands, Thailand, Indonesia, and more.
Please see our website for the nearest contact.

<https://www.kirinoikeuchi.co.jp/eng/company/location/>