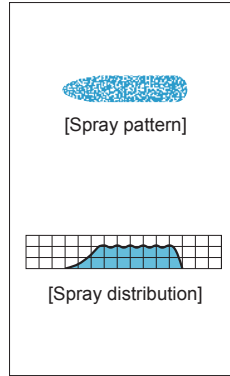


# Quick-detachable Off-center Even Flat Spray Nozzles

# INOVVE

Flat Spray



- Off-center flat spray pattern with uniform distribution.
- In addition to the benefits of the OVVEP series, INOVVE is easy to install and remove—just turning the nozzle tip until it clicks. No need to adjust the spray direction.
- Made of highly chemical and heat resistant plastic.

**[STANDARD PRESSURE]**  
0.3 MPa

**[APPLICATIONS]**  
Cleaning, rinsing, etching

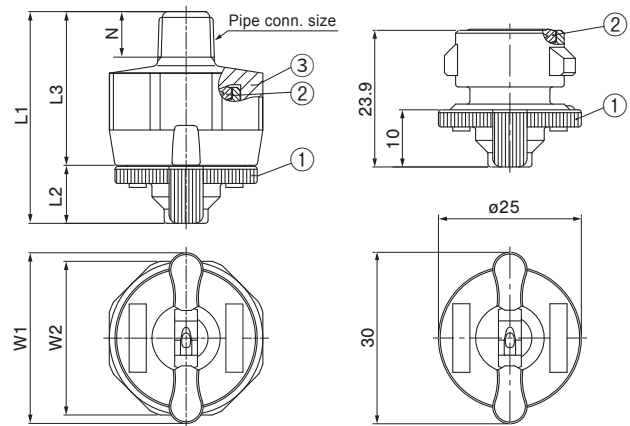
Structure	<ul style="list-style-type: none"> <li>• Two-piece structure including a nozzle tip with packing and an adaptor.</li> <li>• Easy installation and removal of the nozzle tip with a twist of about 60°.</li> </ul>
Material	<ul style="list-style-type: none"> <li>• Nozzle tip: PP</li> <li>• Adaptor: PP or PPS [SPECIAL ORDER MATERIAL: PVDF]</li> <li>• Packing: FEPM</li> </ul>

Pipe conn. size	Dimensions (mm)						Weight (g)	
	L1	L2	L3	W1	W2	N	PP	PPS
R1/8	37	10	27	30	27	8	9	12
R1/4	40	10	30	30	27	11.5	10	13
R3/8	40	10	30	30	27	12	11	14

[Note] Appearance and dimensions may differ slightly depending on material and nozzle code.

## DRAWING

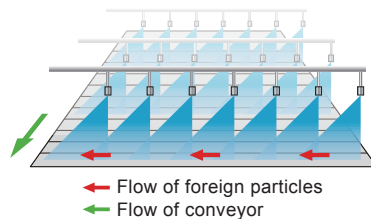
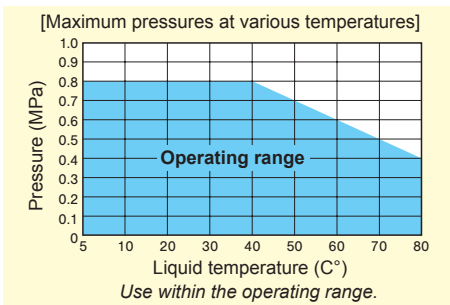
Unit: mm



Complete Assembly

Nozzle Tip (① + ②)

① Nozzle tip ② Packing (FEPM) ③ Adaptor



**Spraying in one direction prevents accumulation of spray fluid and foreign particles.**

Spray capacity code	Pipe connection size			Spray angle (°)			Spray capacity (L/min)				Mean droplet diameter (µm)	Free passage diameter (mm)	Nozzle tip color
	R1/8	R1/4	R3/8	0.15 MPa	0.3 MPa	0.5 MPa	0.15 MPa	0.3 MPa	0.5 MPa	0.7 MPa			
30	○	○	○	42	45	46	2.12	3.00	3.88	4.58	600 800	1.0	
50	○	○	○	42	45	46	3.54	5.00	6.46	7.64		1.3	

## HOW TO ORDER

To inquire about or order a specific nozzle please refer to this coding system.

### ① Complete Assembly

Example: 1/4M INOVVE 4530 PP (FEPM) + PP

<b>1/4M</b>	<b>INOVVE 45</b>	<b>30</b>	<b>PP (FEPM)</b>	+	<b>PP</b>
Pipe conn. size*		Spray capacity code	Nozzle tip material (packing: FEPM)		Adaptor material
<input type="checkbox"/> 1/8M <input checked="" type="checkbox"/> 1/4M <input type="checkbox"/> 3/8M		<input type="checkbox"/> 30 <input checked="" type="checkbox"/> 50			<input type="checkbox"/> PP <input checked="" type="checkbox"/> PPS (Color-coded by material)

### ② Nozzle Tip Only (with packing)

Example: INOVVE 4530 PP (FEPM)

<b>INOVVE 45</b>	<b>30</b>	<b>PP (FEPM)</b>
	Spray capacity code	Nozzle tip material (packing: FEPM)
	<input type="checkbox"/> 30 <input checked="" type="checkbox"/> 50	

- ③ Adaptor is available for purchase separately.
- ④ You can change a nozzle tip to a plug tip if needed. See page 22 for Quick-detachable IN Plug series.

\*\*M" indicates male thread ("R" of the ISO standard), e.g. 1/8M = R1/8.